

# Timber Connectors



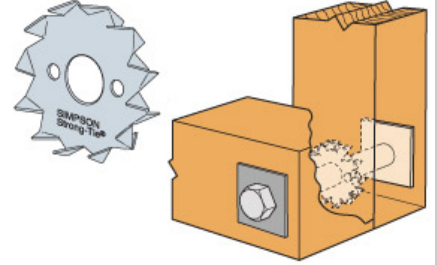
## Double and Single Sided Timber Connectors (DTSC/SSTC)

### DSTC/SSTC

Double and single sided connector plates for enhanced bolt performance in timber. Conforms to BS EN 912: 1999 Annex C. Specification for toothed plate connectors.

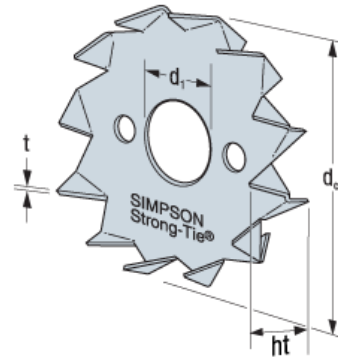
Refer to BS 5268:Part 2 for Installation Details.

Download Full PDF Version from [www.strongtie.co.uk](http://www.strongtie.co.uk)



## Double and Single Sided Timber Connectors (DTSC/SSTC) Performance Data (Updated: Monday 17th May 2010)

Model No.	Dimensions(mm)			
	Dia. $d_c$	Hole Dia. $d_1$	Material $t$	Teeth Height $ht$
SSTC50	48	12	1.00	6.6
SSTC60	62	12	1.20	8.7
SSTC75	75	16	1.25	10.4
DSTC50	48	16	1.00	13.0
DSTC60	62	20	1.20	16.0
DSTC75	75	26	1.25	19.5



Simpson Strong-Tie Double and Single Sided Timber Connectors (DTSC/SSTC) details generated 20th September 2012.  
Copyright 2009-2012, Simpson Strong-Tie Company Inc. All Rights Reserved

Simpson Strong-Tie, Winchester Road, Cardinal Point, Tamworth, Staffordshire, B78 3HG. Telephone: 01827 255600 | Fax: 01827 255616 | Visit: [www.strongtie.co.uk](http://www.strongtie.co.uk)