

Roof Connectors



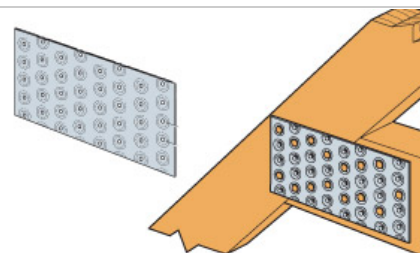
CP

Camplate Nailed plate Timber Fastener (CP)

Camplates are flat nail plates used to connect two timber members together. The concentric dimples pressed into the plate assist in the location of the nail. The CP is BBA approved.

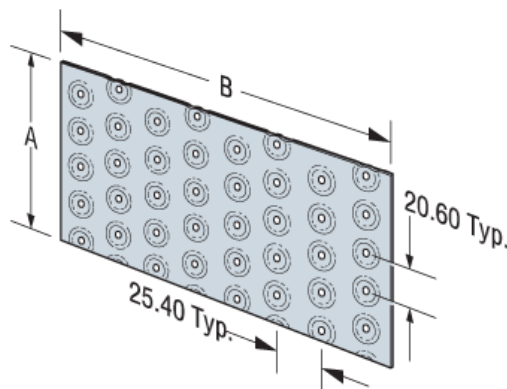
Use 3.75 x 30mm square twist nails.

Download Full PDF Version from www.strongtie.co.uk



Camplate Nailed plate Timber Fastener (CP) Performance Data (Updated: Monday 17th May 2010)

Model No.	Dimensions	
	A	B
CP41/152	41	152
CP72/152	72	152
CP83/178	83	178
CP83/203	83	203
CP83/229	83	229
CP83/254	83	254
CP103/152	103	152
CP103/203	103	203
CP103/254	103	254
CP103/305	103	305
CP144/178	144	178
CP144/203	144	203
CP144/254	144	254
CP165/330	165	330
CP206/305	206	305
CP206/356	206	356



Simpson Strong-Tie Camplate Nailed plate Timber Fastener (CP) details generated 19th September 2012.
Copyright 2009-2012, Simpson Strong-Tie Company Inc. All Rights Reserved

Simpson Strong-Tie, Winchester Road, Cardinal Point, Tamworth, Staffordshire, B78 3HG. Telephone: 01827 255600 | Fax: 01827 255616 | Visit: www.strongtie.co.uk