

**JHA'S ARE A ONE PIECE, NON-WELDED, JOIST HANGER FOR SUPPORTING TIMBER JOISTS FROM TIMBER MEMBERS.**

- A galvanised joist hanger that provides great support with ease of installation.
- Published performance values are based upon 3.75mm x 30mm square twist nails being used throughout.
- Wider strap provides more surface area on the supporting timber and allows increased nail spacing, enhancing the performance of the critical hanger-to-support part of the connection.
- Minimum and maximum nailing schedules are stamped into the strap providing correct installation information for site operatives.
- Speed-prong holds the hanger in position to allow easier attachment. The installer no longer has to try to hold hanger, joist and nail with one hand and swing a hammer with the other!
- JHA270 range features a location tab which allows easier alignment of the hanger.
- The model number and size is stamped into the seat of the hanger for easy identification, even after installation.
- **Regularised Timber:** we have added new sizes to our JHA range to suit regularised timber. Use 47mm or 91mm width hangers for this new application.

**MATERIAL:**

JHA270—0.9mm pre-galvanised mild steel.  
 JHA450—1.5mm pre-galvanised mild steel.

**INSTALLATION:**

Alternative installation methods are available depending on the availability of nailing surface.

**Maximum Nailing:** All nails must be applied according to the table.

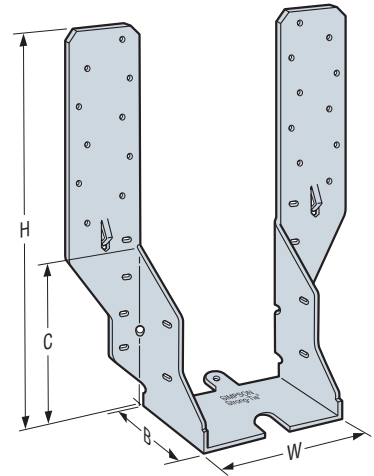
**Minimum Nailing:** For a lower installed cost the minimum nailing schedule can be used when the maximum nailing load capacity is not needed. A minimum wrap over of 45mm is required.

**Loft Conversions (JHA450 Range):** For applications where the hanger extends below the support. Install top, face, and joist nails according to the table. A minimum wrap over of 45mm is required or maximum nailing.

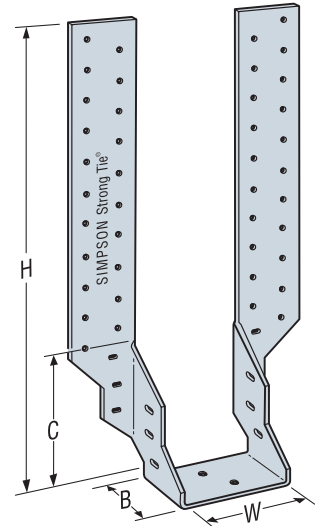
**OPTIONS:**

Because these hangers are fully die-formed they cannot be modified.

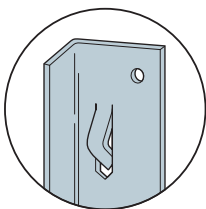
**JHA270**  
Adjustable Hanger



**JHA450**  
Adjustable Hanger

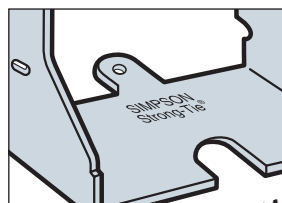


**Speed Prongs**



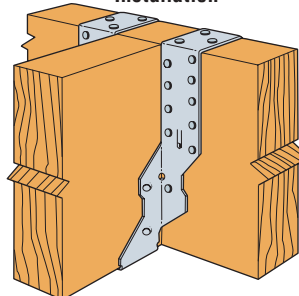
Used to temporarily position and secure the hanger for easier and faster installation.

**Location Tab (JHA270)**

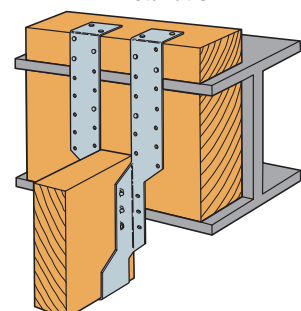


Location tab in the JHA270 range helps align quickly and accurately.

**JHA270 Installation**



**JHA450 Below Support Installation**





**JHA270 SPECIFICATIONS**

Installation Method	Supporting Member Depth	Supported Member Width	Model No.	Dimensions (mm) <sup>[1]</sup>				Number of Fasteners <sup>[2]</sup>			Safe Working Loads (kN) <sup>[4]</sup>			Characteristic Loads (kN)	
				W	H	B	C	Header		Joist	Download		Short Term Uplift	Download	Uplift
								Face	Top		Long Term	Short Term			
Wrap Over	125mm to 200mm	1 ply 38	JHA270/38	38	241	50	106	8	4	4	4.2	4.8	1.1	10.0	2.1
		1 ply 44	JHA270/44	44	238	50	103				4.8	5.5	1.1	11.6	2.1
		1 ply 45	JHA270/47	47	237	50	102				5.2	5.9	1.1	12.4	2.1
		1 ply 50	JHA270/50	50	235	50	100				5.5	6.2	1.1	13.1	2.1
		1 ply 63	JHA270/63	63	249	50	114				5.5	6.3	1.1	13.2	2.1
		1 ply 75	JHA270/75	75	243	50	108				5.5	6.3	1.1	13.2	2.1
		2 ply 45	JHA270/91	91	234	50	100				5.5	6.3	1.1	13.2	2.1
		2 ply 50	JHA270/100	100	230	50	95				5.5	6.3	1.1	13.2	2.1
Face Fix	200mm to 250mm	1 ply 38	JHA270/38	38	241	50	106	20	~	4	3.2	3.6	1.1	7.6	2.1
		1 ply 44	JHA270/44	44	238	50	103				3.2	3.6	1.1	7.6	2.1
		1 ply 45	JHA270/47	47	237	50	102				3.2	3.6	1.1	7.6	2.1
		1 ply 50	JHA270/50	50	235	50	100				3.2	3.6	1.1	7.6	2.1
		1 ply 63	JHA270/63	63	249	50	114				3.2	3.6	1.1	7.6	2.1
		1 ply 75	JHA270/75	75	243	50	108				3.2	3.6	1.1	7.6	2.1
		2 ply 45	JHA270/91	91	234	50	100				3.2	3.6	1.1	7.6	2.1
		2 ply 50	JHA270/100	100	230	50	95				3.2	3.6	1.1	7.6	2.1

1. W, H, B & C dimensions are depicted in the illustration on previous page.
2. 3.75 x 30mm square twist nails used throughout.
3. Characteristic and Safe Working Loads are determined by test and are based upon timbers with a characteristic density of 310 Kg/m<sup>3</sup>.
4. Published performance values are not dependent on the location tab being nailed.

**JHA450 SPECIFICATIONS**

Installation Method	Supported Member Width	Model No.	Dimensions (mm) <sup>[1]</sup>				Number of Fasteners <sup>[2]</sup>			Safe Working Loads (kN) <sup>[4]</sup>			Characteristic Loads (kN)	
			W	H	B	C	Header		Joist	Download		Short Term Uplift	Download	Uplift
							Face	Top		Long Term	Short Term			
Wrap Over	1 ply 38	JHA450/38	38	481	50	191	8	4	6	4.2	4.8	1.6	10.0	3.13
	1 ply 44	JHA450/44	44	478	50	188				4.8	5.5	1.6	11.6	3.13
	1 ply 45	JHA450/47	47	477	50	187				5.2	5.9	1.6	12.4	3.13
	1 ply 50	JHA450/50	50	475	50	185				5.5	6.3	1.6	13.2	3.13
	1 ply 63	JHA450/63	63	469	50	179				5.5	6.3	1.6	13.2	3.13
	1 ply 75	JHA450/75	75	463	50	173				5.5	6.3	1.6	13.2	3.13
	2 ply 45	JHA450/91	91	455	50	165				5.5	6.3	1.6	13.2	3.13
	2 ply 50	JHA450/100	100	450	50	160				5.5	6.3	1.6	13.2	3.13
	2 ply 63	JHA450/125	125	453	63	163				5.7	6.5	1.6	13.6	3.13
	3 ply 45	JHA450/137	137	447	63	157				5.7	6.5	1.6	13.6	3.13
	3 ply 50	JHA450/150	150	440	63	150				5.7	6.5	1.6	13.6	3.13
Face Fix	1 ply 38	JHA450/38	38	481	50	191	20	~	6	4.2	4.8	1.6	10.0	3.13
	1 ply 44	JHA450/44	44	478	50	88				4.4	5.1	1.6	10.6	3.13
	1 ply 45	JHA450/47	47	477	50	187				4.4	5.1	1.6	10.6	3.13
	1 ply 50	JHA450/50	50	475	50	185				4.4	5.1	1.6	10.6	3.13
	1 ply 63	JHA450/63	63	469	50	179				4.4	5.1	1.6	10.6	3.13
	1 ply 75	JHA450/75	75	463	50	173				4.4	5.1	1.6	10.6	3.13
	2 ply 45	JHA450/91	91	455	50	165				4.4	5.1	1.6	10.6	3.13
	2 ply 50	JHA450/100	100	450	50	160				4.4	5.1	1.6	10.6	3.13
	2 ply 63	JHA450/125	125	453	63	163				4.8	5.5	1.6	11.6	3.13
	3 ply 45	JHA450/137	137	447	63	157				4.8	5.5	1.6	11.6	3.13
	3 ply 50	JHA450/150	150	440	63	150				4.8	5.5	1.6	11.6	3.13
Loft Conversion	1 ply 38	JHA450/38	38	481	50	191	4	4	6	4.0	4.6	-	9.6	-
	1 ply 44	JHA450/44	44	478	50	88				4.0	4.6	-	9.6	-
	1 ply 45	JHA450/47	47	477	50	187				4.0	4.6	-	9.6	-
	1 ply 50	JHA450/50	50	475	50	185				4.0	4.6	-	9.7	-
	1 ply 63	JHA450/63	63	469	50	179				4.1	4.6	-	9.8	-
	1 ply 75	JHA450/75	75	463	50	173				4.1	4.6	-	9.8	-
	2 ply 45	JHA450/91	91	455	50	165				4.1	4.6	-	9.8	-
	2 ply 50	JHA450/100	100	450	50	160				4.1	4.6	-	9.8	-
	2 ply 63	JHA450/125	125	453	63	163				4.2	4.8	-	10.1	-
	3 ply 45	JHA450/137	137	447	63	157				4.2	4.8	-	10.1	-
	3 ply 50	JHA450/150	150	440	63	150				4.2	4.8	-	10.1	-

1. W, H, B & C dimensions are depicted in the illustration on previous page.
2. 3.75 x 30mm square twist nails used throughout.
3. Characteristic and Safe Working Loads are determined by test and are based upon timbers with a characteristic density of 310 Kg/m<sup>3</sup>.